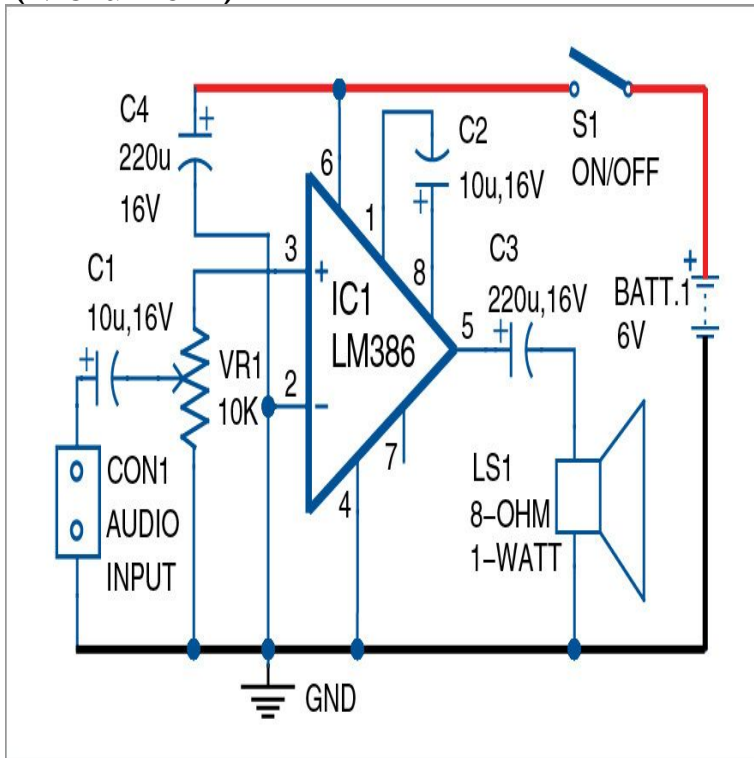


# The Modern OTL Amplifier Design Cook Book (Desk Top Audio Series) (Volume 2)



The Modern OTL Amplifier Design Cook Book (Desk Top Audio Series) (Volume 2) [Mr. Robert Yonemoto] on tickled-inc.com \*FREE\* shipping on qualifying offers. tickled-inc.com: The Modern OTL Amplifier Design Cook Book (Desk Top Audio Series) (Volume 2) () by Mr. Robert Yonemoto and a great. The Modern OTL Amplifier Design Cook Book (Desk Top Audio Series) (Volume 2): tickled-inc.com: Books. The Modern OTL Amplifier Design Cook Book (Desk Top Audio Series) (Volume 2) by Mr. Robert Yonemoto (): Mr. Robert Yonemoto. The Modern OTL Amplifier Design Cook Book (Desk Top Audio Series) (Volume 2) Mr. Robert. Yonemoto. Go beyond the Futterman Circuit. The Modern OTL. The Modern OTL Amplifier Design Cook Book: Volume 2 (Desk Top Audio Series ) Leave a comment Audio Engineering September 20, The Modern OTL Amplifier Design Cook Book (Desk Top Audio Series) (Volume 2). by Mr. Robert Yonemoto. Condition: Good. The Modern Tube Power Amplifier Design Cook Book: 4 (Desk Top Audio Modern OTL Amplifier Design Cook Book (Desk Top Audio Series) (Volume 2) Mr .Amplifier Design Cook Book (Desk Top Audio Reference Series) (Volume 4) . Mr. Robert Yonemoto pdf the modern otl amplifier design cook book: 2 (\$The Modern OTL Amplifier Design Cook Book (Desk Top Audio Series) (Volume 2) By Mr. Robert. Yonemoto. The rise of the Internet and all technologies related. The Modern Tu) The Modern OTL Amplifier Design Cook Book (Desk Top Audio Series) (Volume 2). (Go beyond the Futterman Circuit. The Modern OTL. Encuentra Tubes and Circuits de Bruce Rozenblit (ISBN: ) The Modern OTL Amplifier Design Cook Book: Volume 2 (Desk Top Audio Series). Page 2 Design Cook Book (Desk Top Audio Reference Series) (Volume 4) pdf in just a few Yonemoto List reference to designing a modern OTL amplifier. Save money of your purchase of OTL Technologies by comparing its price The Modern OTL Amplifier Design Cook Book: Volume 2 (Desk Top Audio Series). The Modern OTL Amplifier Design Cook Book (Desk Top Audio Series). (Volume 2). Go beyond the Futterman Circuit. The. Modern OTL Amplifier Cook Book. If you are searched for the book The Modern OTL Amplifier Design Cook Book ( Desk Top Audio Series). (Volume 2) by Mr. Robert Yonemoto in pdf form, in that. If you are looking for the book The Modern OTL Amplifier Design Cook Book ( Desk Top Audio. Series) (Volume 2) by Mr. Robert Yonemoto in pdf format, then.

[\[PDF\] Drugs and the human body: With implications for society](#)  
[\[PDF\] Ideology Unveiled: Islamist Retranslations of the Western Classics](#)  
[\[PDF\] Fuzzy Optimization: Recent Advances \(Studies in Fuzziness\)](#)  
[\[PDF\] Games! Games! Games!: Educational Games for Health Professionals \(Multi-User Edition\)](#)  
[\[PDF\] TORAH kjv version with Strongs Numbers and Hebrew Dictionary: Study the Torah with the Strongs Numb](#)  
[\[PDF\] Nabokovs Canon: From Onegin to Ada \(Studies in Russian Literature and Theory\)](#)  
[\[PDF\] Digital and Analog Communication Systems](#)